

Holder for expandable baton SuperHolder® (type SH-21, SH-121 or SH-221)

We congratulate you on your purchase of this plastic holder for expandable baton SuperHolder®. This holder has been determined for the use with the expandable ESP baton in the security and policing sector. It makes up, together with the expandable baton and possibly with its other accessories, a very practical and useful set for service and self-defence purposes.

SuperHolder® for the ESP baton has been designed especially for those, who work in the security sector, but it should help also to others, who decide to use ESP products for their self-defence. This holder allows not only for a reliable and comfortable carry, but also for the quick draws in crisis situations and that may rapidly increase the chances of your health or life protection! This product has been verified during its development and other consequent adjustments in series of difficult tests, which were to guarantee its better than the standard reliability and practical features under all possible circumstances. The result has been a product, which observes **the highest demands occurring in the professional use:**

- **Deformation resistance** – Thanks to special materials, we have achieved an unusual strength and toughness many times exceeding usual service needs. For example, the holder could serve all its functions even after a car ran over it four times. The holder should thus withstand appropriate rough handling, like stress or light blows in the usual practice without any harm.
- **Weather resistance** – This holder works hassle free in usual temperatures from -20 °C (-4 °F) to +50 °C (120 °F). The special all-plastic design with minimal presence of metals understandably eliminates effects of water or wetness, which is usually followed by corrosion. This allows for the service even in the most adverse climatic conditions.
- **Fast attachment** – The holder can be fast and easily attached to the service belt, thanks to the well-thought through fixing system. You do not have even to unfasten your belt.
- **Reliable attachment** – The expandable baton inserted in the holder is firmly fixed in it. The baton did not fall out from the holder even during the demanding and intensive testing, when a special Police assault course was crossed (including jumping down from the height of 4 metres). There is no risk of the baton loss in critical situations. The holder is supplied, above the standard, with a safety lock, which fixes the baton in the holder during the most extraordinary situations and prevents attempts to withdraw the baton by other people, e.g. when activity takes place in a crowd.
- **Readiness for operation** – The need to use the baton can occur at any moment during policing and fast withdrawal from the holder is ensured even after short training. This guarantees that you have good chances for an effective defence even in surprising and sudden attacks.
- **Optional angle of the baton** – The design of the rotary suspension allows for a wide variety of positions and thus also of arbitrary angles of the holder. This is advantageous not only when deciding on the carry on the left or right-hand side, but it is the key feature when it comes to comfortable adjustment of the baton position, for example, when travelling by car. The holder can be rotated in respect to the belt by 360 degrees and it has 16 arrest positions. The correct angle selection contributes, at the same time, to the readiness of the baton for its fast draw and to the reliable grip, especially in self-defence situations, when any delay or collision can mean that you lose.

– Instructions for use –

This instructions for use should be read before the first use of the holder!

1. Insertion of the closed baton into the holder

- The ESP baton should be inserted into the holder as shown in Fig. 1. After it was inserted into the holder, move the baton along to the holder's axis in the direction of the flexible stop L (see Fig. 2) until it gets fixed in the ready position. The wrong insertion of the baton is shown in Fig. 3.

2. Setting of locked and unlocked positions

- You can choose the position, in which the baton will be locked – either in top or bottom position, depending on your preferred manner of drawing the baton. The manufacturer supplies the holder with a safety lock, which has the **locked position in the top position** of the lock P – see Fig. 2, 4c. **Unlocking** is made by a **downward movement**. At practice when you draw the baton with one hand, it is sufficient to hold the holder lock P by the second hand, which enables quick unlocking. Should you wish to have your baton **locked in the bottom position** of the safety lock P, make disassembly in accordance with Fig. 4a, 4b by pressing gently the safety lock P over the edge of the holder body. Follow Fig. 4d for adjustment of the latch J of the safety lock P into reverse position, and then click the lock P back and test its functionality – see Fig. 4b.
- **Locking of the baton** is now made by shifting of the safety lock P (see Fig. 2, 4d) **downwards** to the flexible stop L. **Unlocking** is done in the opposite way. The securing does not have to be done in usual use because the baton is satisfactorily fixed in the ready to use position. The safety lock is useful only in situations, when there is an extreme possibility of the baton loss. The holder works also when the lock is completely removed from the holder – see Fig. 4a, 4b. The Figures 4c or 4d and 4b show the back fitting of the safety lock.

3. Insertion of the open baton into the holder

- The holder allows for the carry of the open baton, when, for example, the user has no time to close it and he needs, at the same time, his hands free for other activities. Put the baton into the holder in the same way as described in Point 1, according to Fig. 1. Spread the flexible stop L with the middle baton section (of the diameter 16 mm). Then, use the usual process.

4. Drawing of the baton from the holder

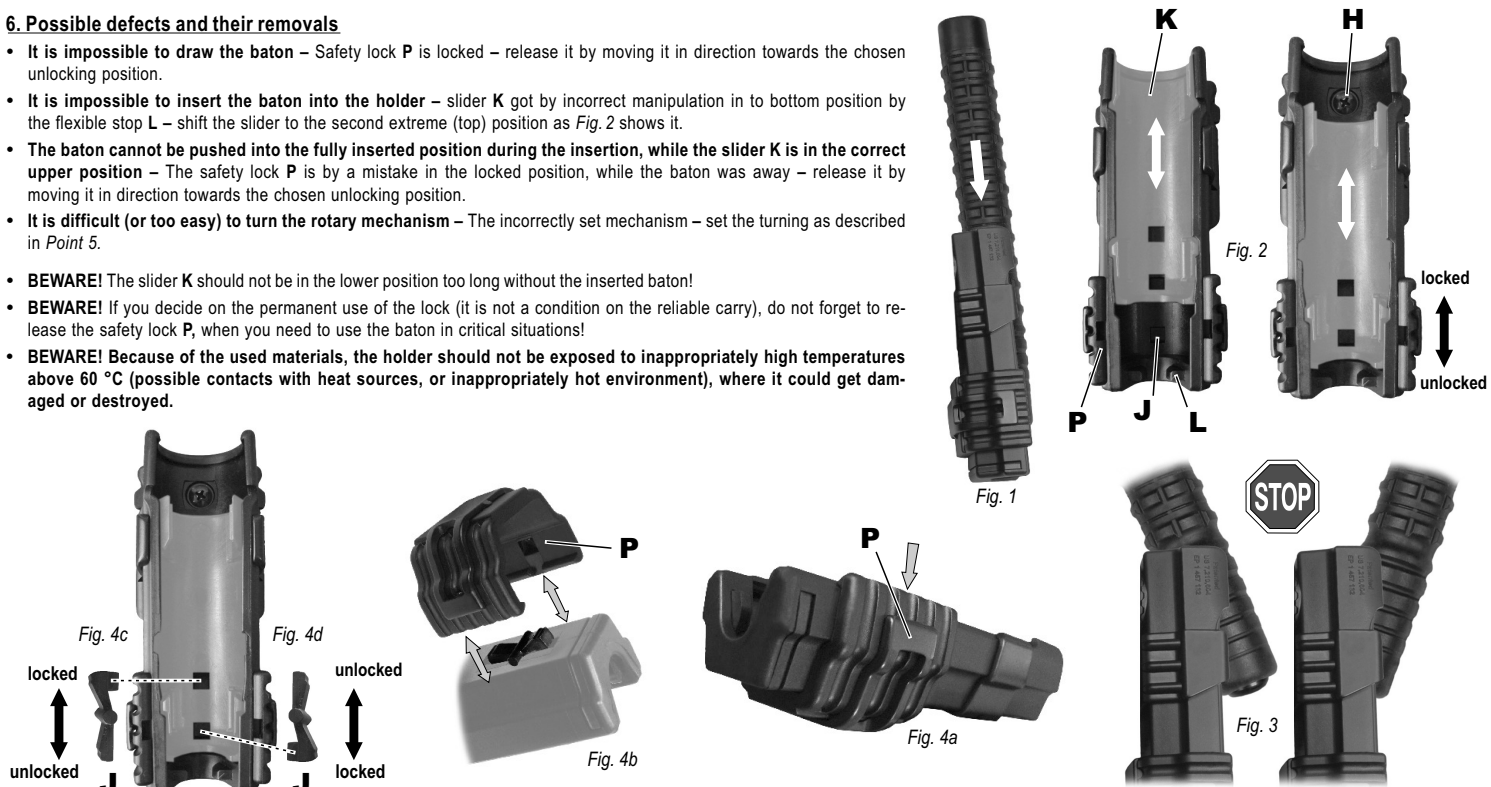
- Before the baton is withdrawn, the holder must be turned to a suitable position, according to the intention of the draw. If the lock is not removed from the holder, make sure in advance that the safety lock P is situated in the unlocked position according to your preference. If locked, unlock it. Get hold of the baton and release it by a strong pull along to the holder's axis, in the direction from the flexible stop L. The baton can be freely taken out (upwards) as soon as it is released (after the movement of 20 mm). **If the lock is in the position set by the manufacturer it is unlocked by downward movement, then at drawing of the baton with one hand, it is sufficient to hold the holder lock P by the second hand, by which quick unlocking will be made.**
- **BEWARE!** The baton should not be drawn sideways, when in the ready to use or in the secured positions!

5. Angle adjustment of the holder

- **The holder can be rotated in respect to the belt by 360 degrees and it has 16 arrest positions.**
- The resistance of the rotary mechanism can be adjusted, when **the turning is too difficult** (or too easy). This is done by the manual moving of the slider K (see Fig. 2) to the lower position, toward the flexible stop L. This reveals the fixing bolt H. Loosen or tighten slightly the fixing bolt H with a Phillips screwdriver so that the resistance force suits your needs. Then, return the slider K back to the original position.

6. Possible defects and their removals

- **It is impossible to draw the baton** – Safety lock P is locked – release it by moving it in direction towards the chosen unlocking position.
- **It is impossible to insert the baton into the holder** – slider K got by incorrect manipulation in to bottom position by the flexible stop L – shift the slider to the second extreme (top) position as Fig. 2 shows it.
- **The baton cannot be pushed into the fully inserted position during the insertion, while the slider K is in the correct upper position** – The safety lock P is by a mistake in the locked position, while the baton was away – release it by moving it in direction towards the chosen unlocking position.
- **It is difficult (or too easy) to turn the rotary mechanism** – The incorrectly set mechanism – set the turning as described in Point 5.
- **BEWARE!** The slider K should not be in the lower position too long without the inserted baton!
- **BEWARE!** If you decide on the permanent use of the lock (it is not a condition on the reliable carry), do not forget to release the safety lock P, when you need to use the baton in critical situations!
- **BEWARE!** Because of the used materials, the holder should not be exposed to inappropriately high temperatures above 60 °C (possible contacts with heat sources, or inappropriately hot environment), where it could get damaged or destroyed.



Instructions for use of the belt clip – front assembly

1. The attachment of the holder to a belt (see Fig. 1)

- In order to ensure the right function of the belt clip, the clip must be correctly adjusted for the belt width – **from 25 to 50 mm** (after removal of sliding stopper **D** up to **60 mm** – see article 3). **It can be fastened also to the supporting M.O.L.L.E. system!**
- The holder is **attached to a belt** by pressing both push-buttons **A**, on the sides of the belt clip, and by tilting the rear metallic part of the clip **B**.
- Now slide this rear metallic part **B** behind the belt and press it back to the locked position. Both catches **C** must be safely locked. You can verify the correct belt attachment by pulling the holder.
- If the holder freely moves on the belt, or it did not completely close shut because of the bigger belt thickness, it is necessary to **adjust firmness of the clip squeeze** to thickness of the used belt – see article 2.

2. Adjustment to the belt thickness (see Fig. 2)

- Adaptation to the belt thickness can be made with use of rubber inserts **F** and enclosed set of plastic inserts **G**.
- If the belt is too thick, it is possible to completely remove the rubber inserts **F**. If the belt is too thin, it is advisable to put under the rubber inserts **F** one or two enclosed plastic inserts **G**.

3. Setting of the belt width (see Fig. 3)

- Unscrew by cross-head screwdriver the bolt **E** of the sliding stopper **D** and move it to the position, which corresponds to the width of your belt. Fix the stopper **D** at this position by tightening of the bolt **E**.

BEWARE! The holder has been designed for the most common kinds of belts of the width **from 25 to maximum 60 mm**. The holder may not be attachable to atypical belts – the extremely wide or, in contrast, extremely narrow ones. Belts made of too thin or inappropriately thick materials can also create difficulties for the carry or attaching!

4. Taking the holder off a belt

- The holder can be **taken off a belt** by the simultaneous pressing of both side push-buttons **A** and release of the catches **C**. After that the whole front part of the clip with the holder can be tilted.

5. The holder angle adjustment (see Fig. 4)

- **The holder can be rotated in respect to the belt by 360 degrees and it has 16 arrest positions.**
- The resistance of the rotary mechanism can be adjusted, when **the turning is too difficult** (or too easy). This is done by slight loosening or tightening of the fixing bolt **H** with a cross-head screwdriver so that the resistance force suits your needs.

